

Architect, Specifier &
Contractor **Guide to:**
**DSS Panel
Systems.**



DSS

Design Systems & Services Corporation

"Division 7 Professionals"

• **Composite Panels**



• **Phenolic Panels**



• **Single Skin Panels**



Main Office/Fabrication Shop

318 & 320 E Wythe Street
Petersburg, VA 23803

Corporate Mailing

PO Box 5757
Virginia Beach, VA 23471

(804) 722-0395 p
(804) 722-0397 f

info@dss-corporation.com

www.dss-corporation.com

Proud members of NAWIC Chapter 141



www.ISAarchitectural.com

*Design Systems & Services Corporation is an exclusive
"Fabricator" of ACM Cladding Systems for ISAarchitectural*

804-722-0395
www.DSS-Corporation.com



Architectural Panel Systems for any project...

Wet Seal or Dry, DSS offers aluminum metal composite panels from well-known, brand name (ACM) Aluminum Composite Material Manufacturers. Choose from a large selection of standard colors including metallic finishes, or an almost limitless array of factory-applied custom colors. DSS glazed and rainscreen systems come with time-tested securing systems.

By using a pre-engineered system approach, DSS can quickly design and fabricate a panel and extrusion system that is easy to install, enabling smooth work flows on the job site.

ACM quality-to-price ratio is extremely favorable when compared to materials such as marble, granite, brick and pre-cast. Weighing less than 1.5lbs./sq. ft., installation goes quickly. ACM is fused under tension to resist deflection and provide maximum flatness, structural integrity and stability. It is weather resistant, easy to maintain, deadens sound, and is available with a fire-rated core. ACM is available in 3mm, 4mm and 6mm thicknesses in a standard Fire Resistant (FR) core.

As an approved fabricator for major ACM manufacturers, DSS is your most dependable choice for any panel job!!

About DSS

With our manufacturing facility in Petersburg, VA. DSS is an integrated Fabricator of custom architectural aluminum composite panel systems and custom sheet metal.

Visit www.DSS-Corporation.com to learn how we can impact your business. Or just give us a call to meet our design team.

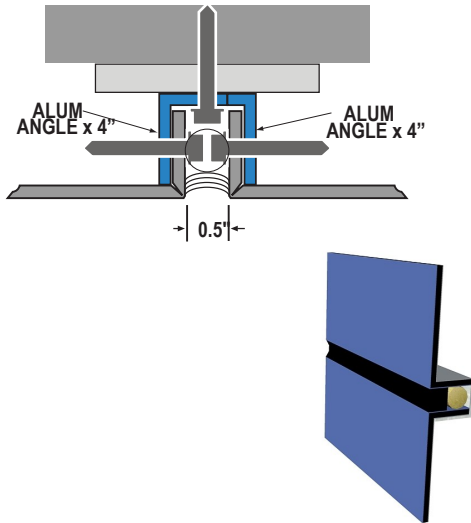
Caroline County

Gloucester County



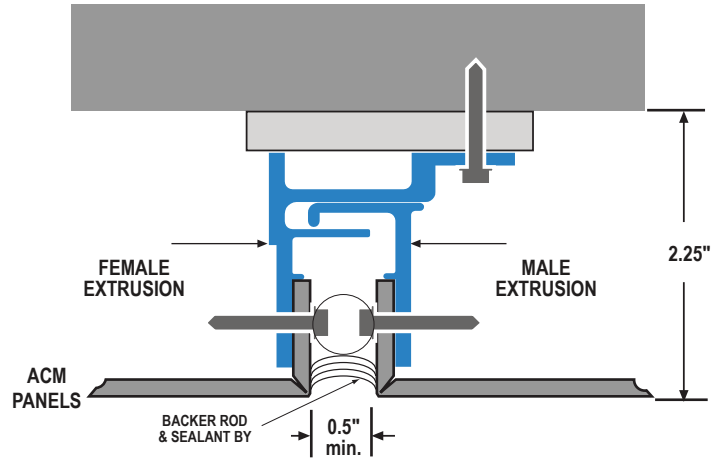
DSS - Wet Sealed (Caulked) Systems

DSS is a manufacturer of caulked, also known as "Wet - Joint", panel systems. DSS fabricates systems made from Aluminum Composite Materials (ACM), anodized and painted aluminum. DSS fabricates composite materials by VITRABOND® - Fairview Architectural. For aluminum DSS also offers custom color matching using polyvinylidene fluoride (PVDF) coatings with Kynar 500 or Hylar 5000 resins. DSS can provide a manufacturer's 20 Year finish warranty on request.



DSS - RR1000 ACM Panel System

DSS - RR1100 aluminum angle clip system is our least expensive wet seal (caulked) system. The system uses a series of staggered clip angles along the routed and returned edges of the panel. The clip angles are factory attached in such a manner to allow for the removal of any panel with-out disturbing adjacent panels. This system can also be offered with shipped loose clip angles for field attachment to the panels giving installers more flexibility of clip angle location during panel installation. Also, the RR1100 system allows the building owners to quickly and easily replace a damaged panel in the future.



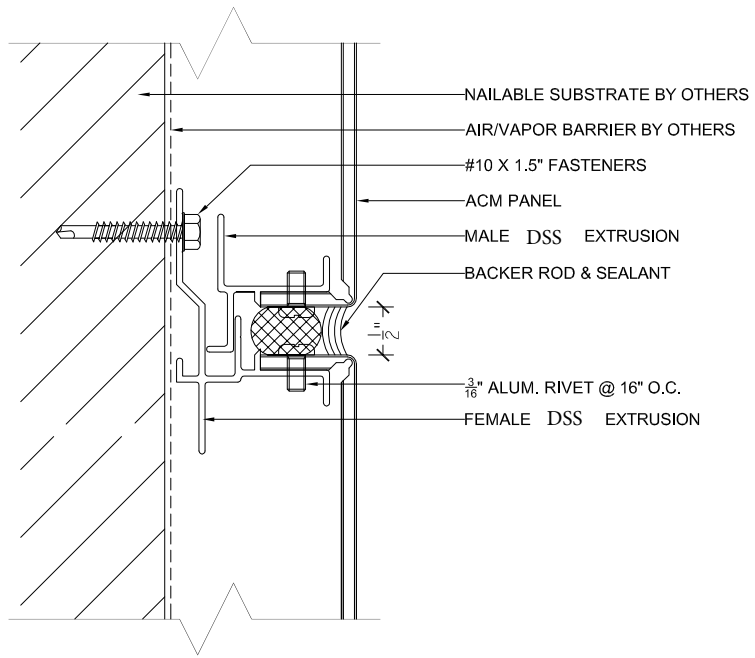
DSS - RR1100 ACM Panel System

The DSS - RR1000 wet sealed (caulked) panel system is designed for better structural integrity and better water/vapor protection. While no panel system is completely impervious to vapor/water penetration, the caulked RR1000 system adds an extra level of protection. Additionally, this system is designed for higher wind loads and flatter panels. This system uses continuous "male" and "female" extrusions factory attached along the routed and returned edges of the panel. The RR1000 system may be manufactured with factory applied stiffeners to prevent "oil-canning."

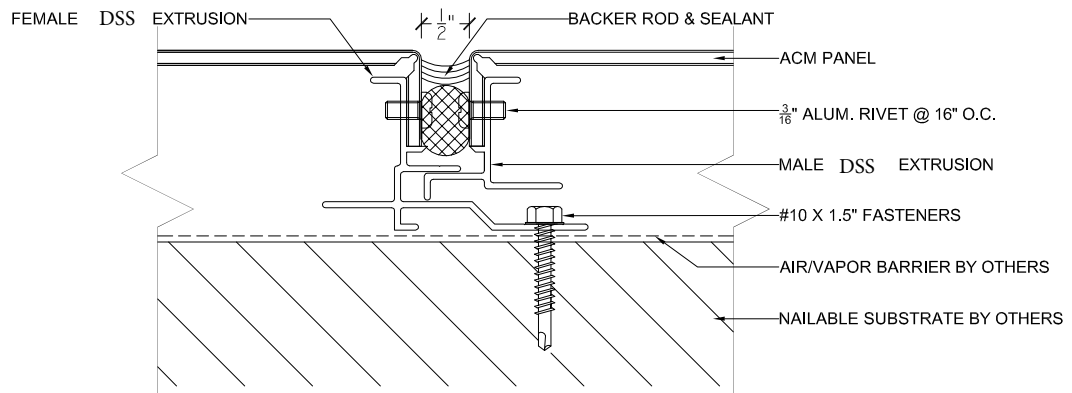
NOTE: The DSS - RR1000 Wall Panel System in conjunction with the use of Vitrabond Aluminum Composite Material, when constructed as tested, complies with (Dade County) South Florida Building Code.

Albemarle County, VA





HORIZONTAL JOINT



VERTICAL JOINT

DSS
 DESIGN SYSTEMS & SERVICES CORPORATION

OFFICE/SHOP:
 318 E. WYTHE STREET
 PETERSBURG, VA 23803
 CORPORATE MAILING:
 PO BOX 5757
 VIRGINIA BEACH, VA 23471

SCALE:
 HALF

DETAIL: HORIZONTAL & VERTICAL JOINTS

DSS - RR1100 ACM Panel System

DATE:
 01/01/16

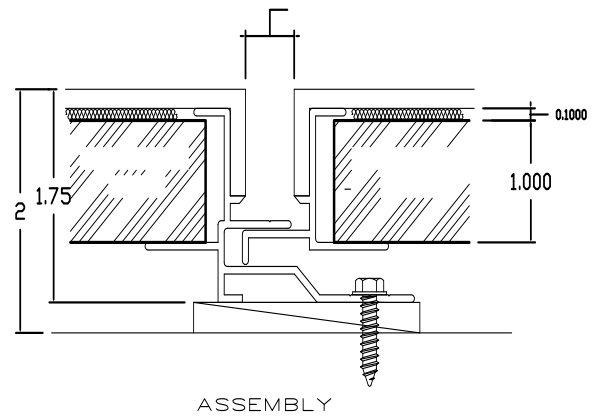
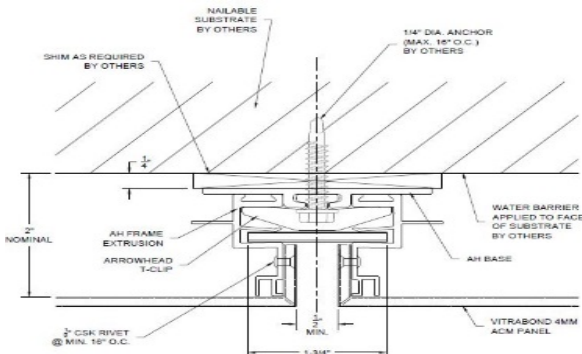
DETAIL #: WJ-01

"Division 7 Professionals"

PHONE: 804-722-0395
www.DSS-Corporation.com

DSS "Dry - Joint" ACM Panel Systems

DSS 'Dry-Joint' system uses Splines or Gaskets in the joint - typically when a reveal is desired. Rain Screens are a facade, and the installer must apply a Fluid Applied or Self Adhered weather barrier between the panel system and structural wall. Specify ACM panel dimensions up to 5' x 16' in 3, 4, 6 mm standard Fire-Rated (FR) core material by VITRABOND® - Fairview Architectural ; Alcoa - Reynobond or Alpolc - Mitsubishi. DSS also offers custom color service with a 10 week lead-time. Designer finishes feature Kynar 500® or Hylar 5000 polyvinylidene fluoride (PVDF) resins in two (2) or three (3) coat finish. DSS can provide a manufacturer's 20 or 30 year finish warranty on request.

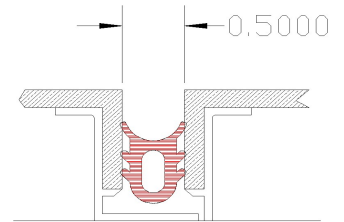


Non-Progressive:

Install "Any panel in any sequence" and remove damaged panels easily without compromising the quality, fit or integrity of the system.



EPDM Gasket



Arrowhead® 508 and 509 Panel System:

Is a Non-Progressive system that incorporates a spline in the reveal between each panel. These systems allow you to immediately start attaching the base extrusions and to create the panel frame openings as you go. You can accurately place the center of the curtain wall mullions or other material joint that you are required to line up with. The placement of the base extrusions allows protection of the air weather barriers while waiting for panel installation. To install panels, all you need is the AH 110 Locking Tool and T-Clips which are provided with the system upon delivery.

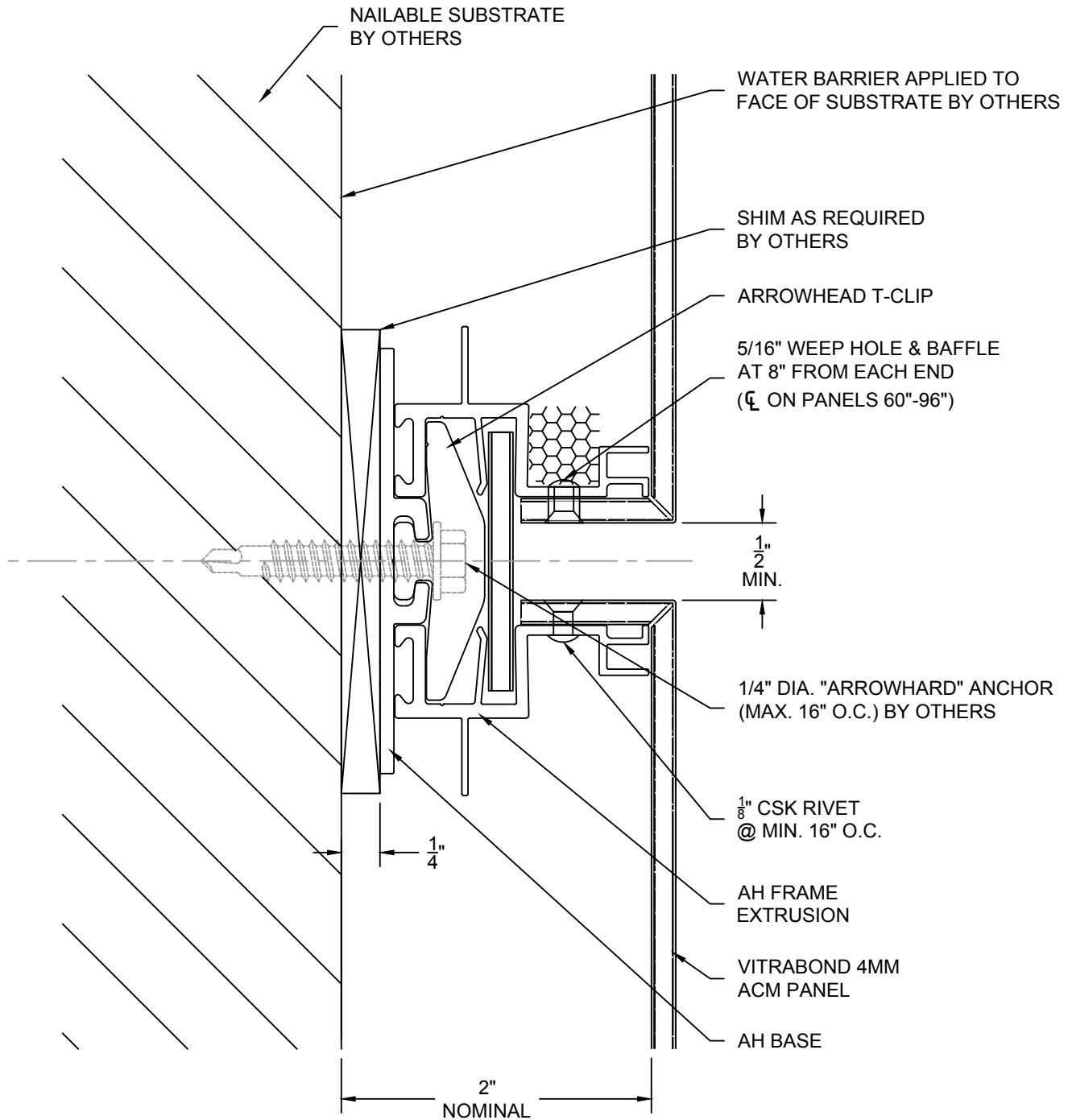
DSS - RR2000 Rainscreen Panel System

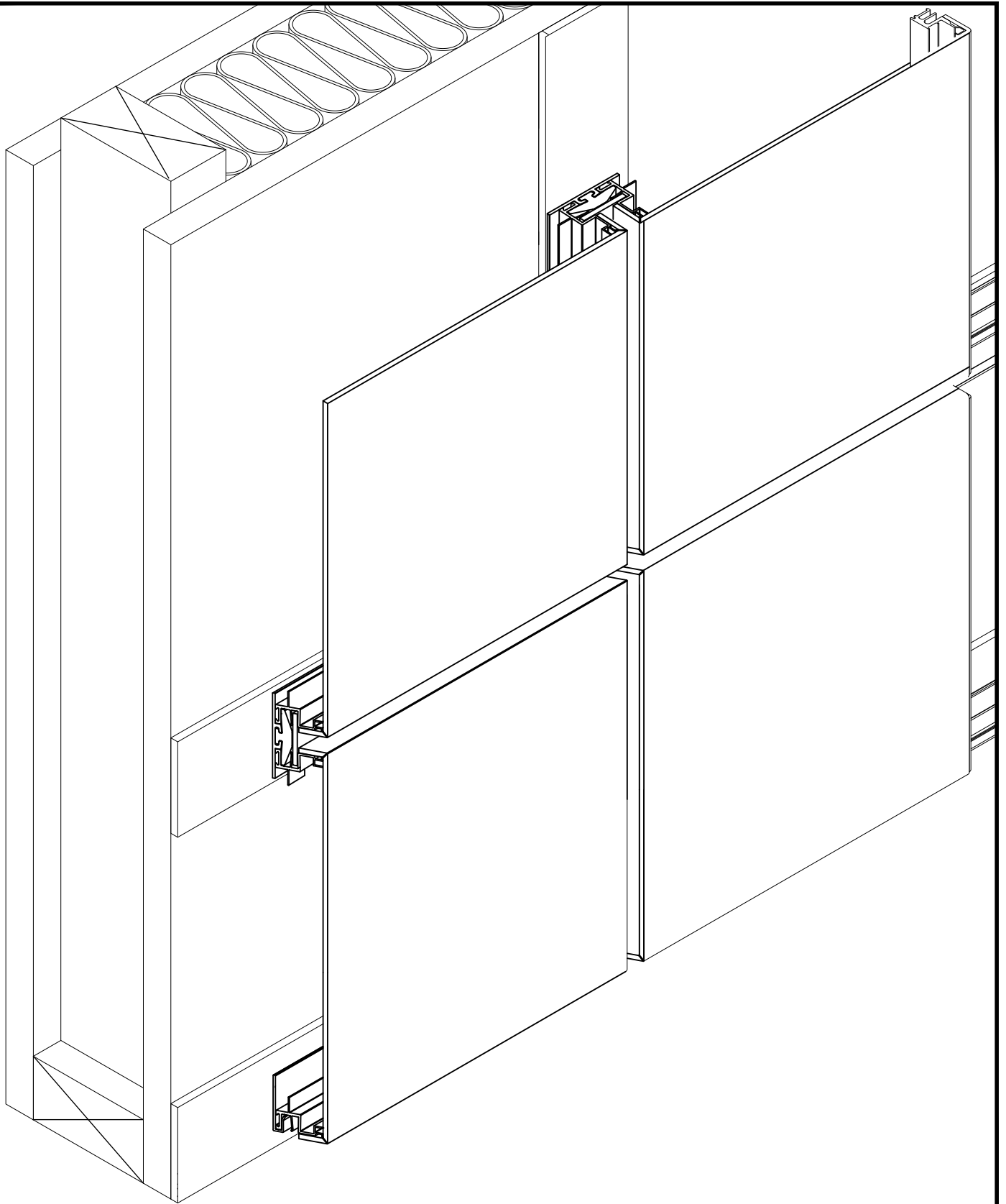
DSS - RR2000 Rainscreen Panel System is a drained and back venti-lated rainscreen that incorporates a strip of EPDM Gasket in the reveal between each panel (instead of caulk) resulting in a more uniform appear-ance. The RR2000 Rainscreen system comes with fabricated panels and extrusions. The fabricated panels include a "Frame" extrusion, factory attached to the routed and returned edges of the panel that fits conveniently into the field installed horizontal and vertical "track" extrusions. DSS - RR2000 Rainscreen is designed to allow moisture to permeate the outside wall, but subsequently drain through weep holes along the bottom edge of each panel. While any remaining moisture is designed to evaporate, the outside wall is not designed to act as a water/vapor barrier for the building.


Old Dominion University - Norfolk, VA

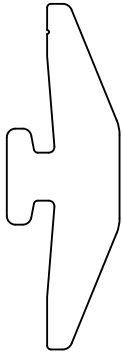


NOTE:
NON-PROGRESSIVE:
Install "Any panel in any sequence" and remove
damaged panels without compromising the quality, fit or
integrity of the system

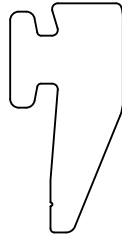




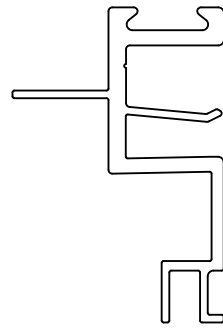
Sheet	Drawn By NCDS	Project Number DWG-01	Project	ARROWHEAD RAINSCREEN PANEL SYSTEM SYSTEM ISOMETRIC	  <small>www.fairview-na.com</small>
	Date Drawn 2017.04.24				
	Revisions				
	No. _____ Date _____ No. _____ Date _____				
			© Copyright Fairview Architectural LLC		



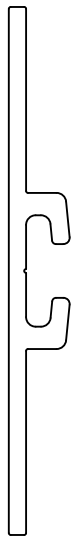
AH-104 T-CLIP



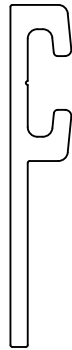
AH-107 PERIMETER CLIP



AH-101 FRAME



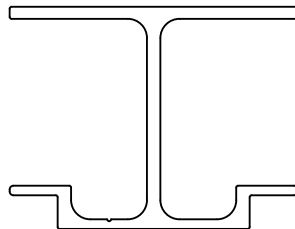
AH-102 BASE





AH-103 MOD. BASE

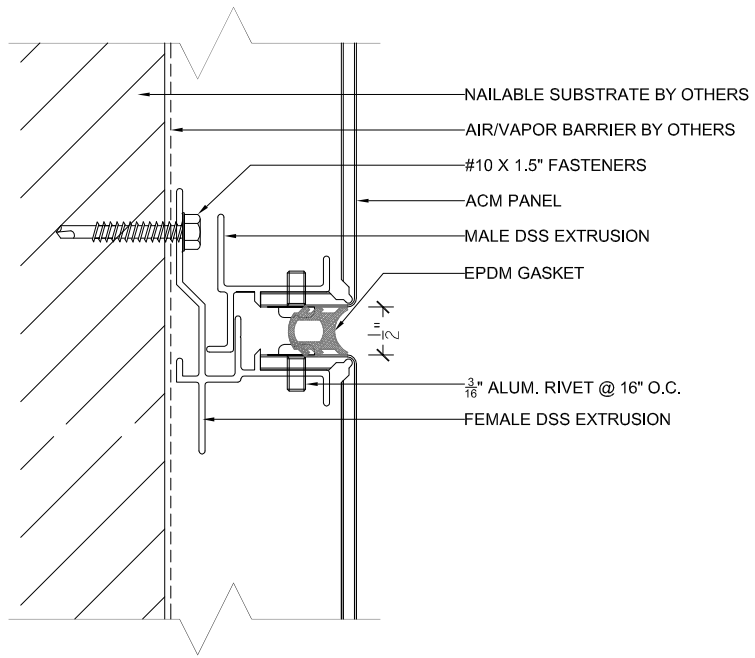


AH-105 J-SILL

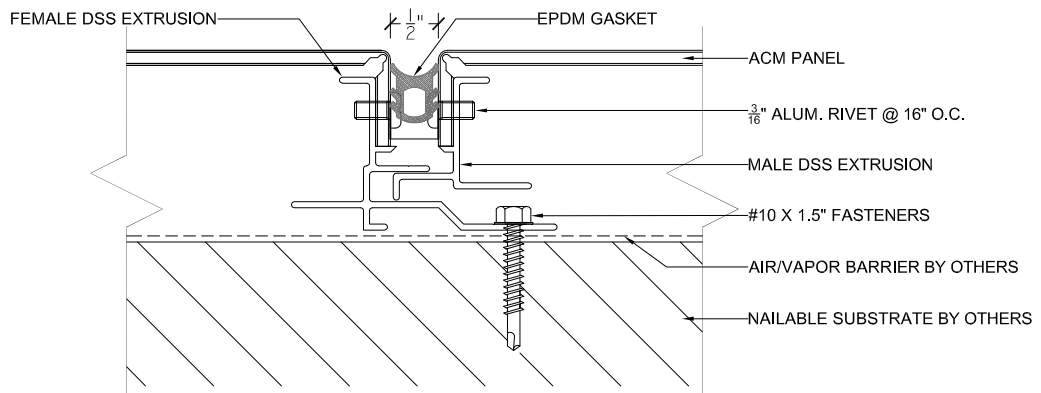


AH-106 STIFFENER

Sheet	Drawn By NCDS	Project Number DWG-01	Project ARROWHEAD RAINSCREEN PANEL SYSTEM ATTACHMENT EXTRUSIONS	  <small>www.fairview-na.com</small>
	Date Drawn 2017.04.24			
	Revisions		<small>© Copyright Fairview Architectural LLC</small>	
	No. _____ Date _____ No. _____ Date _____			



HORIZONTAL JOINT



VERTICAL JOINT

DSS
 DESIGN SYSTEMS & SERVICES CORPORATION

OFFICE/SHOP:
 318 E. WYTHE STREET
 PETERSBURG, VA 23803
 CORPORATE MAILING:
 PO BOX 5757
 VIRGINIA BEACH, VA 23471

SCALE:
 HALF

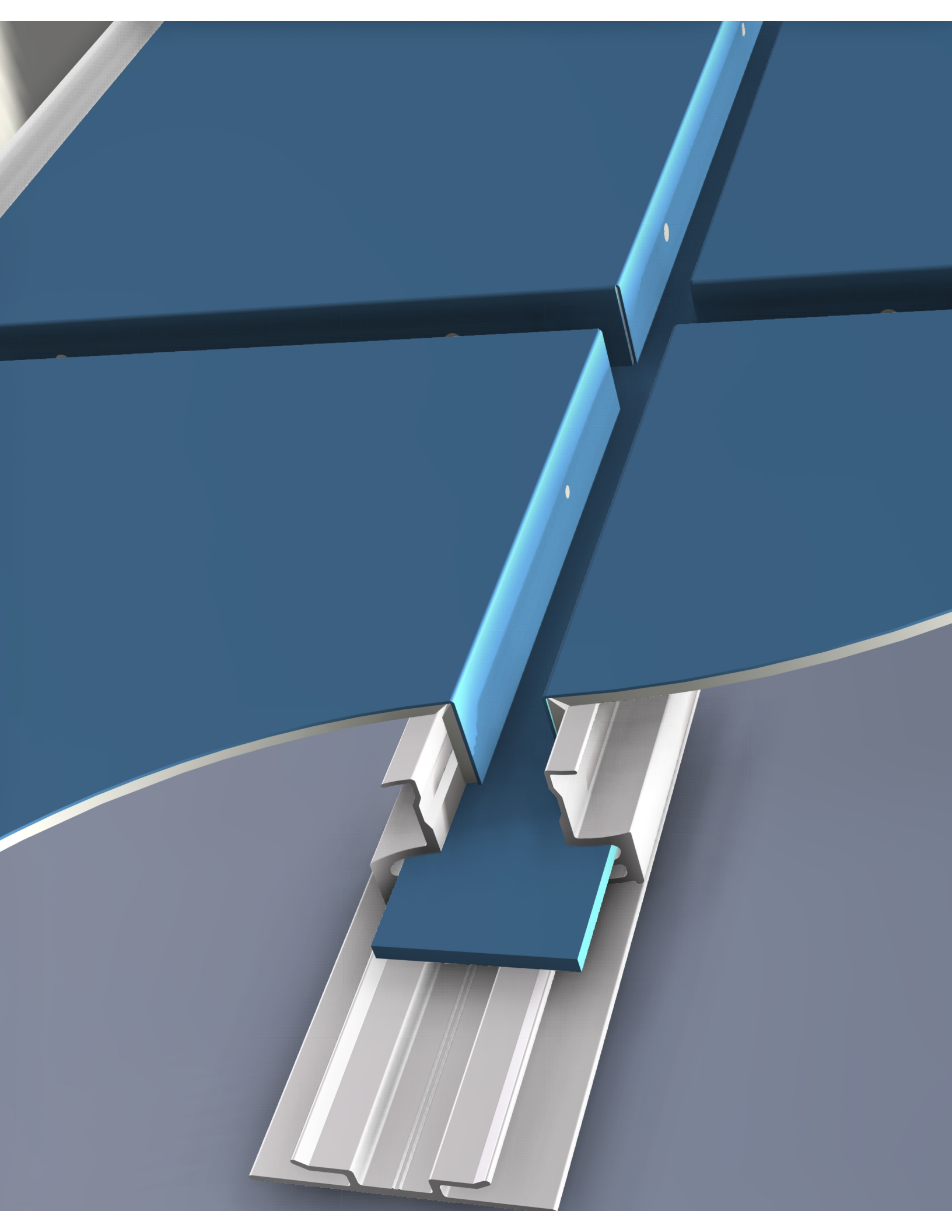
DATE:
 01/01/16

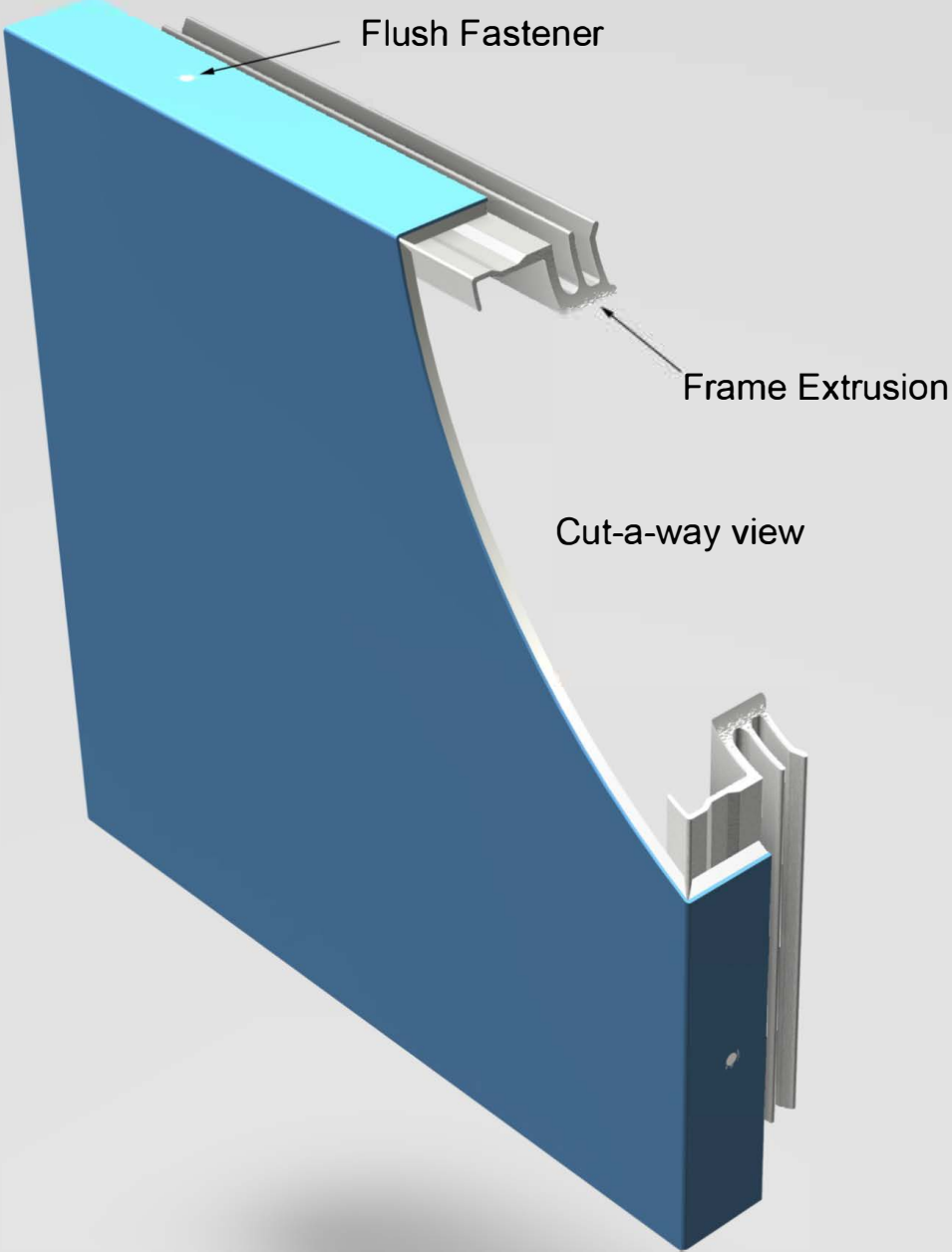
DETAIL: HORIZONTAL & VERTICAL JOINTS
 DSS - RR2000 Rainscreen Panel System

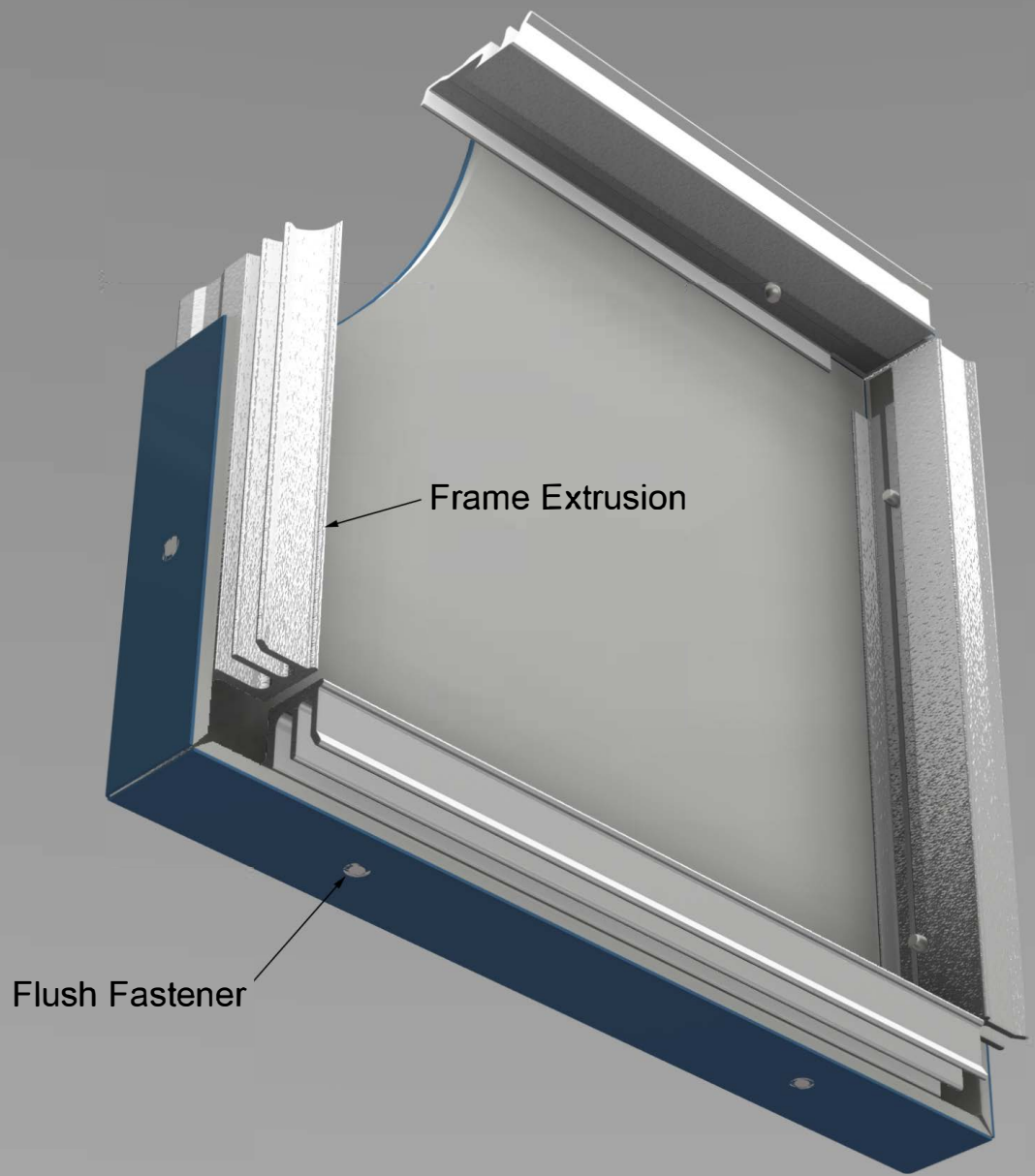
DETAIL #: DJ-01
 REV: 01

"Division 7 Professionals"

PHONE: 804-722-0395
www.DSS-Corporation.com









ACM SYSTEM: AAMA 508 Pressure Equalized Rainscreen Wall System Project:

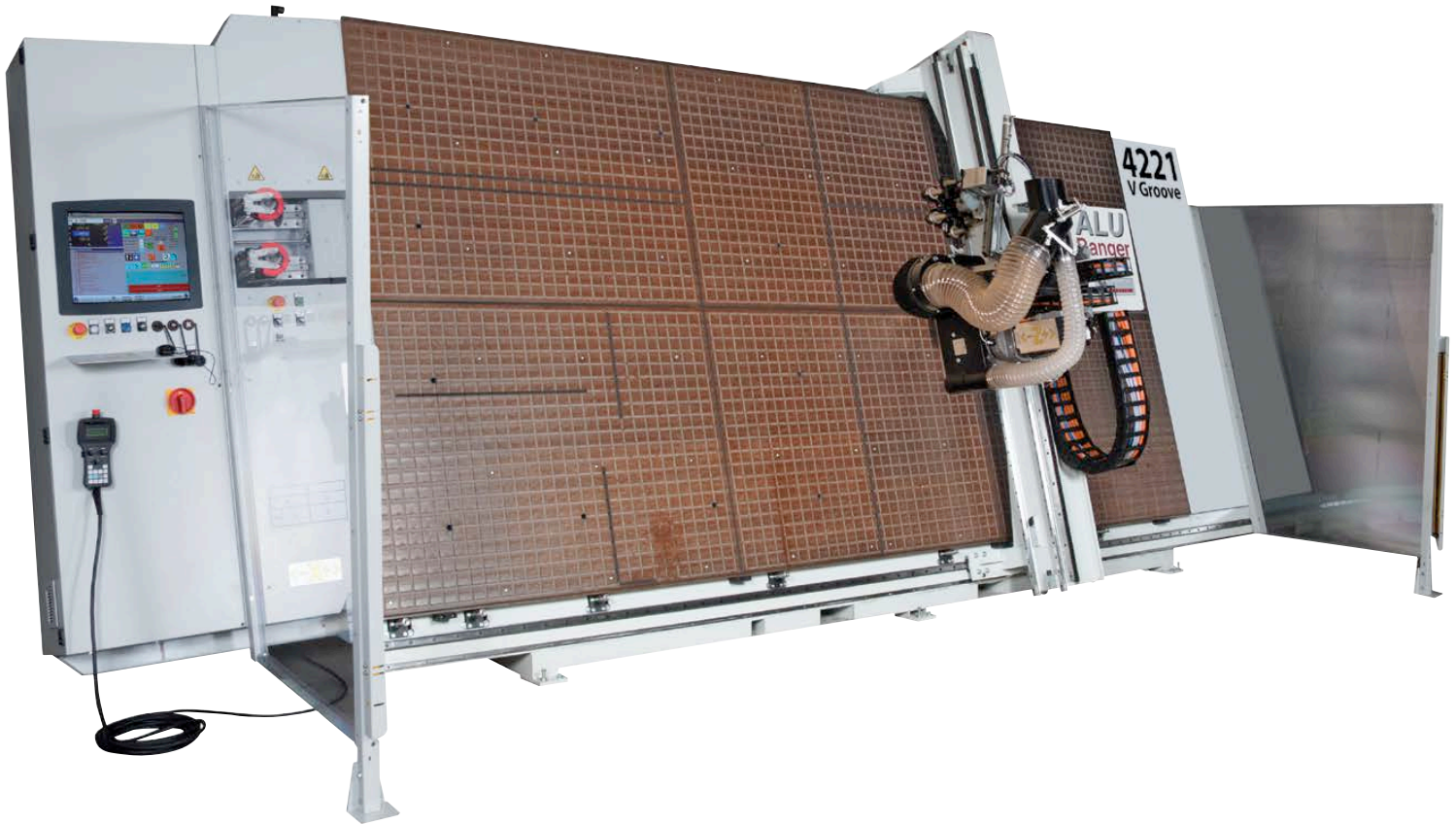
RE PROJECT: **Central District Police Facility Solicitation #: IFB160003**
 5026 Davis Ford Road Woodbridge, VA

A/E: **Moseley Architects Richmond, VA**

Owner: **Prince William County**

Gen Cont: **Sorensen Gross Const. Services 3407 Torrey Road**
 Flint, MI 48507

Design Systems & Services Corporation



DSS machining & fabrication capabilities:

With our ALU Ranger 4221 V Groove Vertical CNC machine, panel processing and fabrication quality is at the highest level. Machined Panel processing minimizes planing and reduces joint tolerances making our Rainscreen- Pressure Equalized and Drained & Back Ventilated Cladding Systems perform better by minimizing the amounts of controlled moisture inside the cavity wall.

Chesterfield County



Gloucester County



Mission Statement

Design Systems & Services Corp.

Design Systems & Services Corporation was incorporated in Virginia in 2008 with over 50 years of family knowledge in Roof Manufacturing, Roof & Wall Contracting, Roof & Wall Design, and Roof & Wall Consulting experience. Our goal as a roofing & wall company shall be to promote superior workmanship standards, proper business practices and to be a leader in technical Roof & Wall system design development. We will strive to always contribute to the overall well being of the Roofing, Wall & Waterproofing Industry for our customers worldwide.

Design Systems & Services Corporation is a full service United States Class "A" licensed Roofing & Wall contractor out of Virginia with full Bonding capabilities and specializing in Commercial & Industrial Built-Up and Modified Bitumen (Asphaltic Roof Systems / Hot & Cold Applied); EPDM, TPO, & PVC (Thermoplastic & Thermo-set Single-Ply Roof Systems); Standing Seam Metal (Sheet Metal & Machine Formed Panel Roof Systems); Custom Formed Horizontal Wall Panels with a special focus on Composite Wall - Rain-Screen Cladding Systems.

DSS strives to work directly with Property Owners/ Property Management Companies, School Boards, Architects, Roof Consultants, and Facility Managers for all entities such as Hospitals, Prisons, Military and City affiliates. Design Systems & Services Corporation has the technical knowledge, Expertise, and Experience to help any customer Develop, Design, & Install the Correct Roof or Wall System, with the desired Guarantee, to accommodate any Budget Requirement.

Scott Moore
CEO/President



www.ISAarchitectural.com

Contact Us

Toll Free:

844.460.8626

Fax Line:

844.722.0397

Email:

scott@dss-corporation.com

jr@dss-corporation.com

admin@dss-corporation.com

Office/Shop:

318 E & 320 E Wythe

Street Petersburg, VA 23803

Corporate Mailing:

PO Box 5757

Virginia Beach, VA 23471

Website:

www.dss-corporation.com

Design Systems & Services

Arrowhead® Approved Panel
Systems Installer



Design Systems & Services Corporation is an exclusive "Fabricator" of ACM Cladding Systems for ISAarchitectural

DSS
*Design Systems &
Services Corporation*
"Division 7 Professionals"

Roof Systems Division

Panel Systems Division



Arrowhead® Approved Panel Systems Fabricator & Installer



BY FAIRVIEW ARCHITECTURAL



Design Systems & Services Corporation

"Division 7 Professionals"

• **Composite Panels**



• **Phenolic Panels**



• **Single Skin Panels**



Main Office/Fabrication Shop

318 & 320 E Wythe Street
Petersburg, VA 23803

Corporate Mailing

PO Box 5757
Virginia Beach, VA 23471

(804) 722-0395 p
(804) 722-0397 f

info@dss-corporation.com

www.dss-corporation.com

Proud members of NAWIC Chapter 141



DSS Custom Fabrication

Give us a design challenge and our fabrication and finishing experts will create a solution. DSS fabrication facility offers customers unparalleled benefits in quality and installation speed. Simply provide us with drawings or sketches and we will respond with a complete written proposal and schematic representation of our products for your building.



DSS Panel & Metal Fabrication

Panel Systems & Sheet Metal Fabrication Service Facility

318 E. & 320 E. Wythe Street
Petersburg, VA 23803

804-722-0395 OFF
804-722-0397 FAX
844-460-8626 TollFree

CORPORATE MAILING

P.O. Box 5757
Virginia Beach, VA 23471

Email: Info@DSS-Corporation.com

